



SRA Products Ltd



# About Us



SRA Products Ltd

SRA Products Limited is a UK-based, family company whose staff have many decades of experience and are dedicated to providing a unique platform to our customers, offering both bespoke and generic products of the highest quality and design coupled with the best possible service.

With a client base that includes many of the premium brands in the bathroom industry, both OEM and exclusive retail labels, as well as familiar names in other fields, we have established a growing reputation.

Our route to market is strictly defined as manufacturers

and distributors, and we do not advertise, market, or exhibit our products, allowing us to remain almost entirely anonymous and known only to our trading partners. Our customers remain secure in the knowledge that they control their own marketing, margins, and sales potential.

We only deal directly with the factories that produce our products to ensure that as a minimum all ethical, environmental, health & safety and legal standards are met. SRA Products have our own sourcing and quality staff who are based at source, with continual audits, QA inspections

and other measures, meaning customers can be confident that all patents are maintained, copyright is respected, and intellectual design rights are honoured.

These pages contain just a small selection of our standard products in order to give an indication of our capabilities. We are happy to accept enquiries for a wide range of items and I can be contacted at [stevealday@sraproducts.com](mailto:stevealday@sraproducts.com)

Steve Alday  
Managing Director

## Finishes

All our products are available in the below finishes. Other finishes are available on request.

**Chrome**



**Polished Brass**



**Nickel**



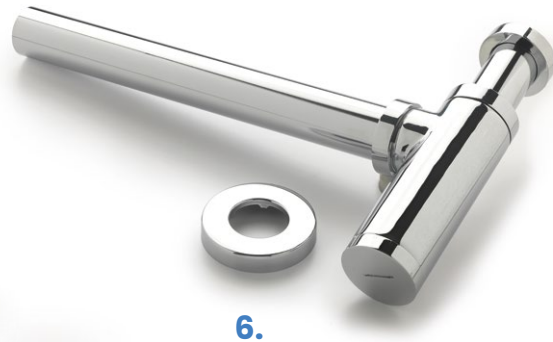
**Gold**



**Satin Nickel**



# Basins



- 1.** Deluxe Push Down Basin Waste with Decorative Nut. Other plug options are available.
- 2.** Universal Push Down Basin Waste. Free Flow part included as standard.
- 3.** Plug & Chain Basin Waste with Removeable Grid. Available with Tap Hole Stopper as pictured.

- 4.** Slow Running Basin Waste.
- 5.** Traditional Bottle Trap with Pipe and Flange.
- 6.** Minimalistic Bottle Trap with Pipe and Flange.
- 7.** Pop-Up Basin Waste with Horizontal Rod.

# Baths – Exposed



**8.** Exposed Push Down Bath Waste with Overflow.

**9.** Exposed Plug & Chain Bath Waste with Overflow.

**10.** Bath Overflow Extension Pipe and Coupler.

**11.** Bath Low Height P Trap. Includes 42mm Adaptor for both 40mm and 42mm installations.

**12.** 42mm Exposed Bath Waste Pipe and Flange.

**13.** Freestanding Pipe Shrouds for use with baths without tapholes.

**14.** Telescopic Pipe Shrouds for use with baths with tapholes.



# Baths – Concealed



15.



16.



17.



18.



19.

**15.** Plug & Chain Bath Waste with Overflow, 870mm Overflow Pipe, and Extended Chain.

**16.** Bath Pop Up Waste. Also available with extended overflow pipe, or as a thick wall bath version. Other plug options are available.

**17.** Bath Overflow Filler. Available with extension piece suitable for baths up to 34mm thick as pictured.

**18.** Push Down Bath Waste with Overflow, Hair Trap and 1m Overflow Pipe.

**19.** Extensive Range of 55mm and 72mm Bath Push Down Wastes, slotted and unslotted. Various Plug options shown, and Hair Trap can be included with all wastes in this range.

# Toilets



**20.** High Level Flush Pipe Kit. Including Pipes, Buffer Clip, Pipe Shroud and Pivot Arm.

**21.** Low Level Flush Pipe Kit. Including Pipe Shroud.

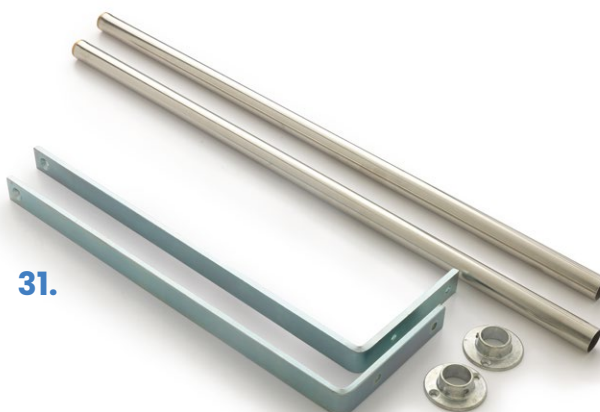
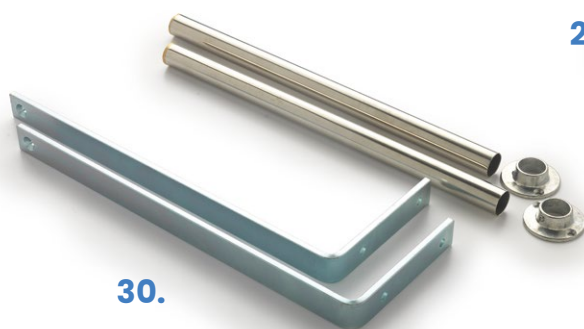
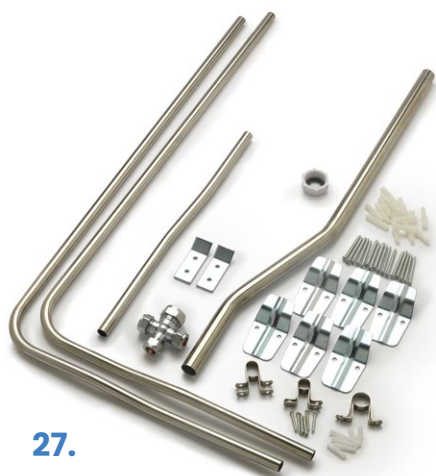
**22.** High Level Cistern Support Brackets and High Level Pull & Chain.

**23.** Traditional Cistern Lever.

**24.** Soft Close Toilet Seat Hinge. Available as both Standard or Back to Wall.

**25.** Traditional Toilet Seat Hinge. Available as both Standard or Back to Wall.

**26.** Toilet Seat Buffers. Any RAL/ PANTONE colour available.



**27.** Urinal Pipework for 3 Bowl installations. Available for 1-5 Bowls.

**28.** Urinal Top Inlet Spreader.

**29.** Urinal Back Inlet Spreader.

**30.** Cleaner Sink Support Legs.

**31.** Belfast Sink Support Legs.



SRA Products Ltd

[info@sraproducts.com](mailto:info@sraproducts.com)

01429 894982